

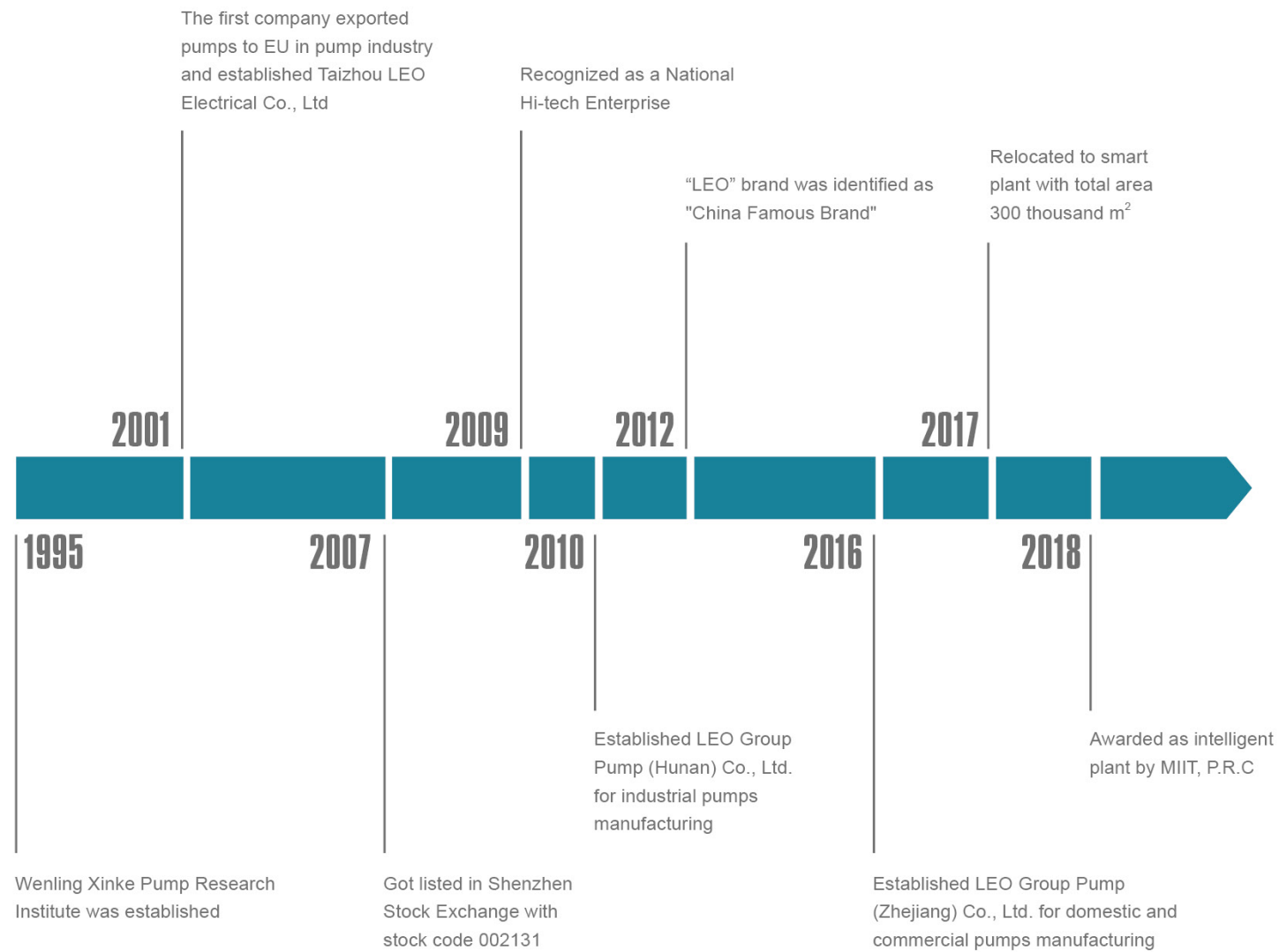
- 01 - - 02 - - 03 - - 04 - - 05 - - 06 - - 07 - - 08 -

Pumps

- Gasoline Water Pump
- Gasoline Sewage Pump
- Gasoline Cast Iron Centrifugal Pump
- Diesel Water Pump
- Gasoline Trash Pump
- Horizontal Engines



HISTORY



TO KNOW LEO

LEO Group (got listed in Shenzhen Stock Exchange with stock code 002131) is a national high-tech enterprise engaged in R&D, design, manufacture, sales and service of all series pumps and systems. LEO is the first listed company in Chinese pump industry, one of the drafters of pump industry standard and the vice president of drainage and irrigation machinery branch of China Agricultural machinery industry association as well. "LEO" has been identified as "China Famous Brand" by the State Administration of Industry and Commerce. It is mentionable that LEO has the only state-authorized technical center in pump industry.

We have set up many production and sales subsidiaries in key regional markets such as America, Hungary, Belgium, Thailand, Indonesia, United Arab Emirates and Bangladesh and authorized exclusive distribution agency in over 100 countries.

Our products have been sold to over 140 countries and regions, such as Europe, North America, Central & South America, Southeast Asia, Middle East, Africa, Oceania, etc., which play a crucial role in water conservancy, water resources, electric power construction, petrochemical industry, mining, metallurgy, fire-fighting, HVAC (Heating, Ventilation and Air Conditioning), agricultural irrigation, civil water supply and drainage, etc.

LEO has currently two industrial groups respectively for industrial and civilian applications. With four manufacturing bases in Wenling of Zhejiang, Xiangtan of Hunan, Wuxi of Jiangsu and Dalian of Liaoning, LEO possesses a solid foundation to become a world-class pump and system solution provider rapidly.

With over 70 years' professional technology, LEO will continue her consistent creativity and development ability in each pump for human's health.



NUMEROUS MEMBERS, ONE FAMILY

Based on market segment, LEO's pump business is divided into 5 fields, namely water conservancy & water resources, power station, petrochemical industry, mining & metallurgical industry and civilian applications. For each field there's a professional manufacturing base with relevant professional sales teams. Three subsidiary companies, Wuxi LEO Xi Pump, LEO Group Pump (Hunan) and Dalian LEO Pump are all well-known industrial pump manufacturers in their own fields. With over 70 years' industrial pump manufacturing experience and extraordinary comprehensive strength, LEO has become a leading company among all industrial pump manufacturers in China.



Pump Manufacturing Base for Domestic and Commercial Applications (Wenling City, Zhejiang Province)

LEO Group Pump (Zhejiang) Co., Ltd, a wholly-owned subsidiary of LEO Group Co., Ltd, is the core base for R&D, manufacturing, sales and service of domestic and commercial pumps for family water supply, pipeline boosting, garden and field irrigation, HVAC, etc.

The leading products include peripheral pump, jet pump, centrifugal pump, garden submersible pump, fountain pump, pool pump, doestic lifting station, gasoline engine pump, diesel engine pump, submersible pump, submersible borehole pump, submersible sewage pump, stainless steel vertical multistage pump, etc.

The product range covers 15 series with over 2,000 specifications, which are well sold in more than 120 countries and regions. The base has established steady cooperative relationships with world-class pump manufacturers, importers, dealers and hypermarkets.



Pump Manufacturing Base for General Industrial Pumps (Xiangtan City, Hunan Province)

Established in 2010, LEO Group Pump (Hunan) Co., Ltd. is a wholly-owned subsidiary by LEO Group Co., Ltd. Located in Jiuhua Economic Development Zone of Xiangtan City, Hunan Province. Covers an area of 85,000m² and construction area is about 92,635 m² with total investment of approximately 74 million dollars. It is the most important R&D, manufacturing and testing center of LEO Group. The leading products include large mixed flow and axial flow pump (vertical, horizontal, oblique, tubular, submersible etc.), double-suction centrifugal pump, multistage centrifugal pump, slurry pump, desulphurization pump and submersible centrifugal pump. Products are mainly used in mine, metallurgy, coal washing, FGD, municipal water etc.



Pump Manufacturing Base for Water Conservancy & Water Resources (Wuxi City, Jiangsu Province)

Formerly known as Wuxi Xi Pump Manufacturing Co., Ltd., a well-known manufacturer of water conservancy, is specialized in large and medium-sized pumps production for urban water supply and drainage, farmland irrigation, water conservancy projects and large water diversion project. The main products cover 32 series with nearly 1000 specifications. Products exported to more than 20 countries in Asia, Latin-America, Europe and Oceania.

As a main supplier, the base provides large pumps for South-to-North Water Diversion Project—a national key project. There are over 140 technicians, including 1 professor level senior engineer, 16 senior engineers, and 39 engineers.



Pump Manufacturing Base for Petrochemical Industry (Dalian City, Liaoning Province)

It is the pump manufacturing base for petrochemical industry, combined with Dalian LEO Huaneng Pump Co., Ltd and LEO (Dalian) Industrial Pump Technology Center Co., Ltd.

Formerly known as Dalian Huaneng Corrosion-Resistant Pump Works, the base is specialized in production of petrochemical pumps for crude oil transportation, crude oil refinery, heavy chemical industry, coal chemical industry and fine chemistry, etc. The base focuses on design and manufacture of 30 series (OH, BB, VS, etc.) of petrochemical pumps with over 3000 specifications, which are in accordance with API and ISO standard.

LEO (Dalian) Industrial Pump Technology Center Co., Ltd. is one of the research branch of national level technology center for petrochemical pumps, specializes in R&D, design of pumps of petro chemistry, coal chemical industry, long-distance transport pipes, energy resources, fine chemicals industry, etc. Design and develop software and large laboratories, explore liquid transport schemes under severe conditions and solve the difficult projects of ultralow temperature, high temperature, high pressure, low cavitation, highly corrosive, energy recovery, etc.



Application

- To transfer clean water with liquid temperature between 0°C and 40°C
- Applicable in water supply and drainage for factories, mines, municipal facilities as well as field irrigation, etc.

Features

- New unique design with ergonomic feature
- Portable and compact pump frame
- High quality engine with excellent performance and long service life
- Impeller designed with high efficient hydraulic system
- Low fuel consumption

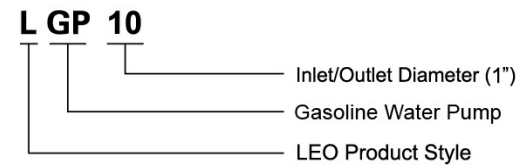
Pump

- Anti-rust cast iron impeller and diffuser
- Max. Suction: 8 m, Suck 5 m needs 120 s
- Inlet/outlet: 25 mm/38 mm

Engine

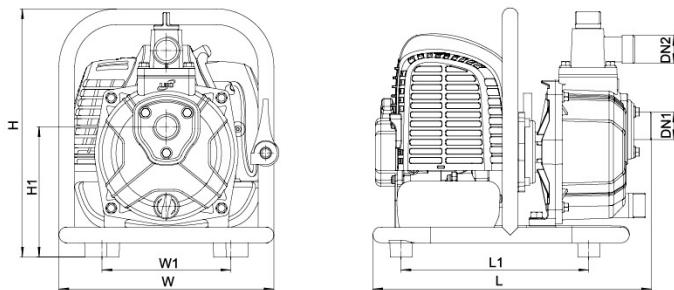
- Single cylinder, 2-stroke, Air-cooled
- Max. power: 1.6 HP
- Rated speed: 7500rpm
- Mixture ratio of fuel: 1:25 (2-stroke engine oil and 90 octane gasoline or higher)

Identification Codes



Technical Data

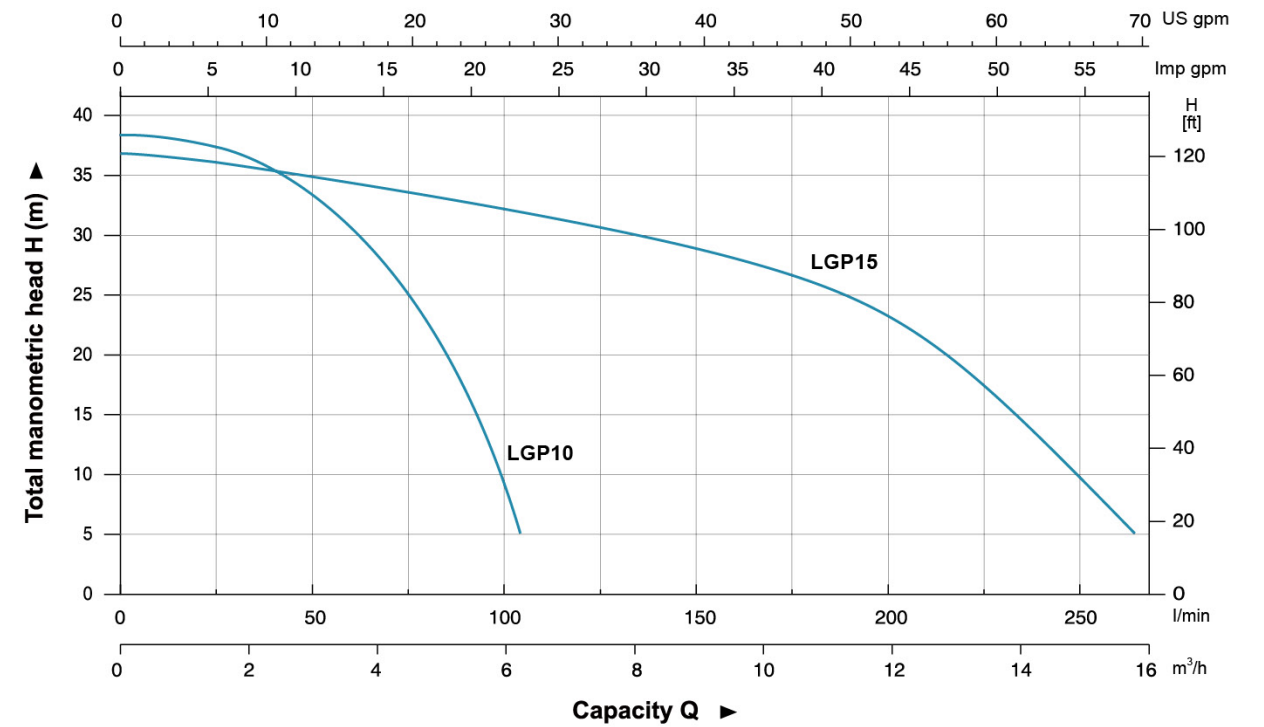
Model	Power HP	Mixed Fuel tank L	Displacement cc	Engine	Q (m³/h)																					
					0	2	4	6	8	10	12	14	16	18												
LGP10	1.6	1	42.7	G43	Q (l/min)	0	33.3	66.7	100	133.3	166.7	200	233.3	266.7	200	H (m)	38	35.7	26.9	6	-	-	-	-	-	-
LGP15	1.6	1	42.7	G43	37	36.8	34	33	30	27.5	23.5	15	5	-												



Dimension

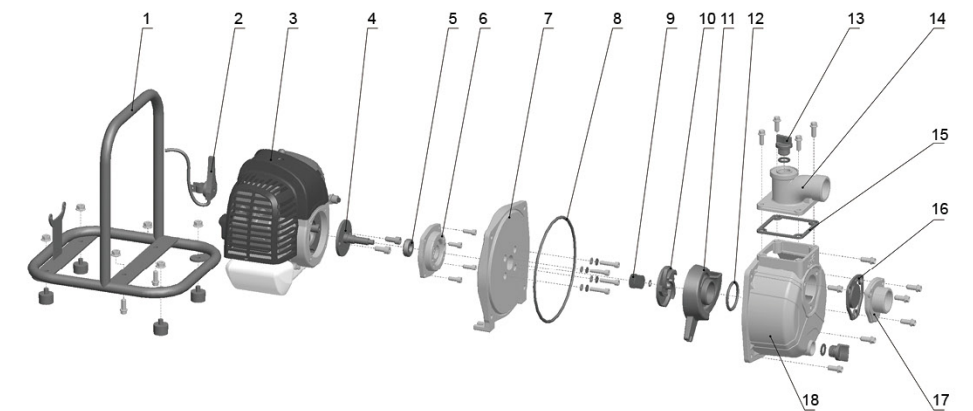
Model	DN1	DN2	L (mm)	W (mm)	H (mm)	L1 (mm)	W1 (mm)	H1 (mm)
LGP10	1"	1"	336	279	300	217.5	155	157
LGP15	1 1/2"	1 1/2"	344	279	345	233	175	180

Hydraulic Performance Curves



Materials Table

No.	Part	Material
1	Frame	Steel
2	Throttle trigger	
3	Engine	
4	Crankshaft	
5	Bearing	
6	Seat connection	Aluminum
7	Pump cover	Aluminum
8	O-ring	NBR
9	Mechanical seal	Carbon/Ceramic
10	Impeller	HT200
11	Diffuser	HT200
12	O-ring	NBR
13	Plug	PP
14	Outlet	Aluminum
15	Seal	NBR
16	Non-return valve	NBR
17	Inlet	Aluminum
18	Pump body	Aluminum



Package Information

Model	GW (Kgs)	L (mm)	W (mm)	H (mm)	Quantity (PCS/20 TEU)
LGP10	6.84	350	290	325	702
LGP15	8.27	355	290	370	681





Application

- To transfer clean water with liquid temperature between 0°C and 40°C
- Application in water supply and drainage for factories, mines, municipal facilities as well as field irrigation, etc.

Features

- 4-stroke gasoline engine power performance, structural optimization and upgrading
- Ignition more convenient, more complete combustion, low energy consumption, more environmentally friendly
- Strengthened pump body ensures more durable and reliable service
- Better sealing effect by using special mechanical seal
- Impeller designed with high efficient hydraulic system

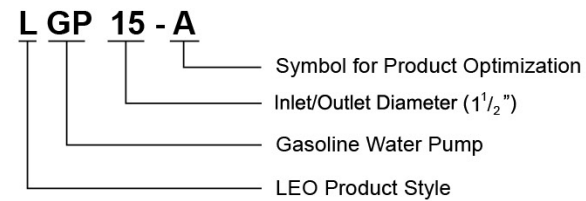
Pump

- Anti-rust cast iron impeller and diffuser
- Max.Suction: 8 m , Suck 5 m needs 120 s
- Inlet/outlet: 38 mm

Engine

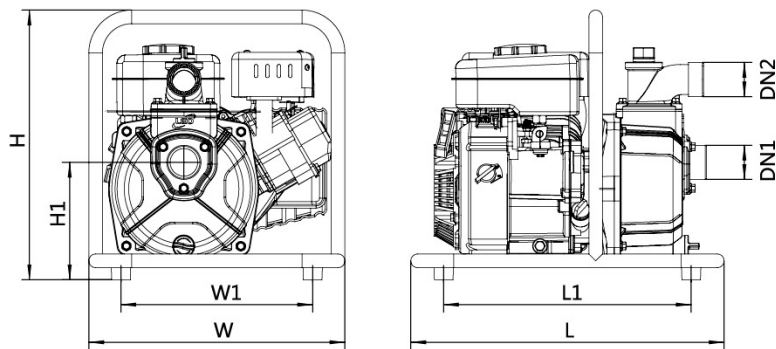
- Single cylinder, 4-stroke, Air-cooled
- Max.power: 3 HP
- Rated speed: 3600 rpm

Identification Codes



Technical Data

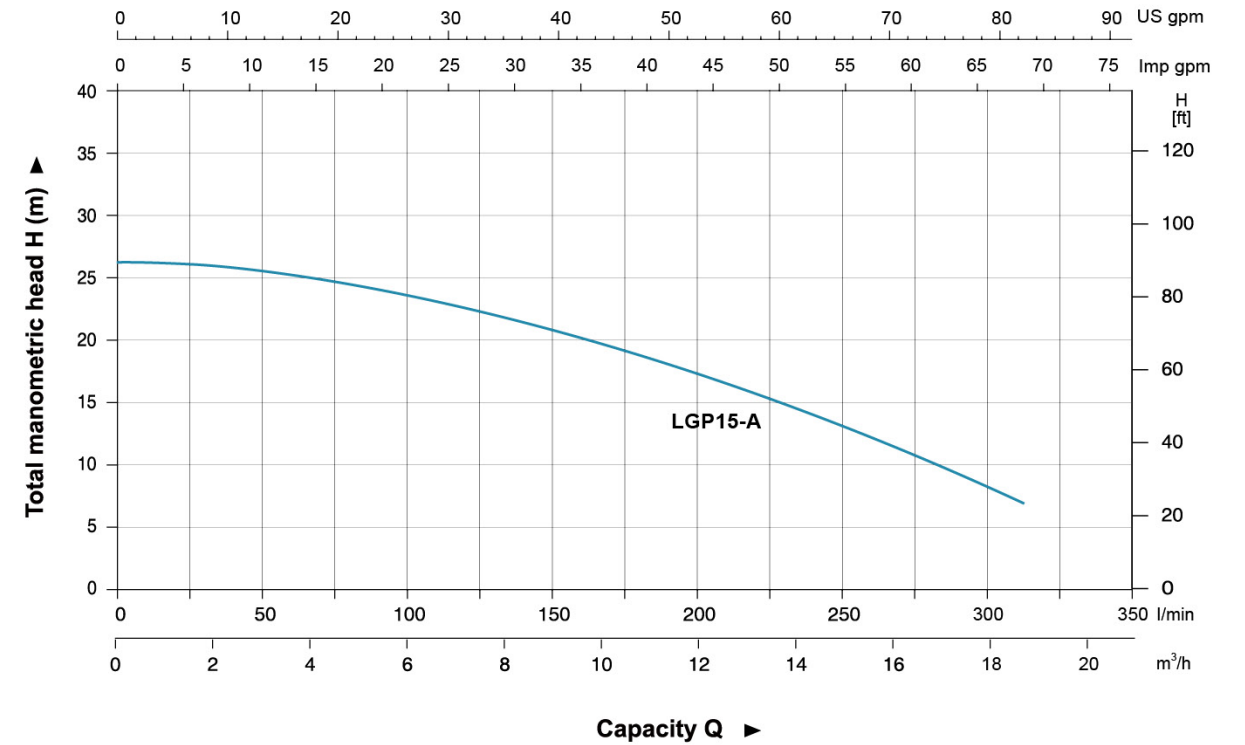
Model	Power HP	Fuel tank L	Engine oil L	Displacement cc	Engine	Q (m³/h)															
						0	2	4	6	8	10	12	14	16	18						
LGP15-A	3	1.8	0.35	87	G87	H (m)	26	25	24.8	23	22	20	17	15	12	7.2					
						Q (l/min)	0	33.3	66.7	100	133.3	166.7	200	233.3	266.7	300					



Dimension

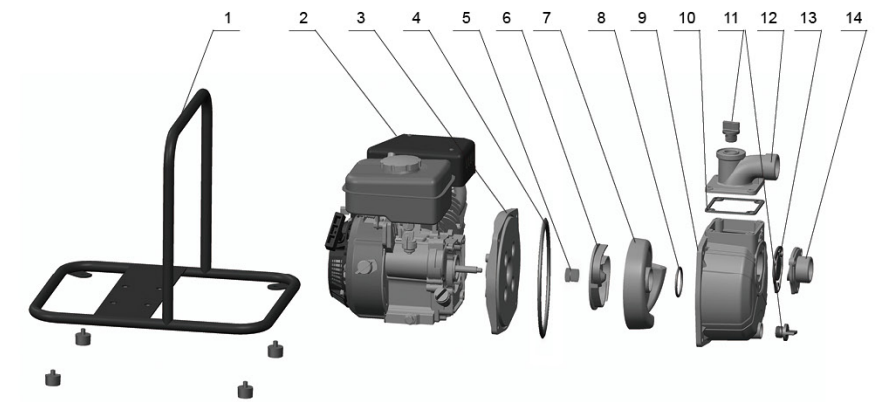
Model	DN1	DN2	L (mm)	W (mm)	H (mm)	L1 (mm)	W1 (mm)	H1 (mm)
LGP15-A	1 1/2"	1 1/2"	438	380	377	346	268	164.2

Hydraulic Performance Curves



Materials Table

No.	Part	Material
1	Frame	Steel
2	Engine	
3	Pump cover	Aluminum
4	O-ring	NBR
5	Mechanical seal	Carbon/Ceramic
6	Impeller	HT200
7	Diffuser	HT200
8	O-ring	NBR
9	Pump body	Aluminum
10	Seal	NBR
11	Plug	PP
12	Outlet	Aluminum
13	Non-return valve	NBR
14	Inlet	Aluminum



Package Information

Model	GW (Kgs)	L (mm)	W (mm)	H (mm)	Quantity (PCS/20 TEU)
LGP15-A	14.5	464	378	400	330





Application

- To transfer clean water with liquid temperature between 0°C and 40°C
- Application in water supply and drainage for factories, mines, municipal facilities as well as field irrigation, etc.

Features

- Strengthened pump body ensures more durable and reliable service
- Better sealing effect by using special mechanical seal
- Multiple direction outlet for convenient use
- Improved starter handle for easier starting
- 20% increased loading quantity thanks to new frame structure
- Less gasoline consumption
- Powerful, durable LEO engine

Pump

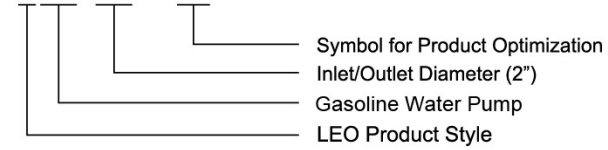
- Anti-rust cast iron impeller and diffuser
- High quality forged steel crankshaft
- Max.Suction: 8 m , Suck 5 m needs 120 s
- Inlet/outlet: 50 mm/80 mm

Engine

- Single cylinder, 4-stroke, Air-cooled
- Max.power: 6.5 HP
- Rated speed: 3600 rpm
- Reliable engine equipped with low engine oil shut off system

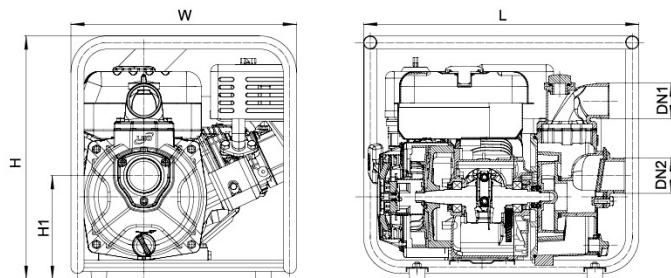
Identification Codes

LGP 20 - C



Technical Data

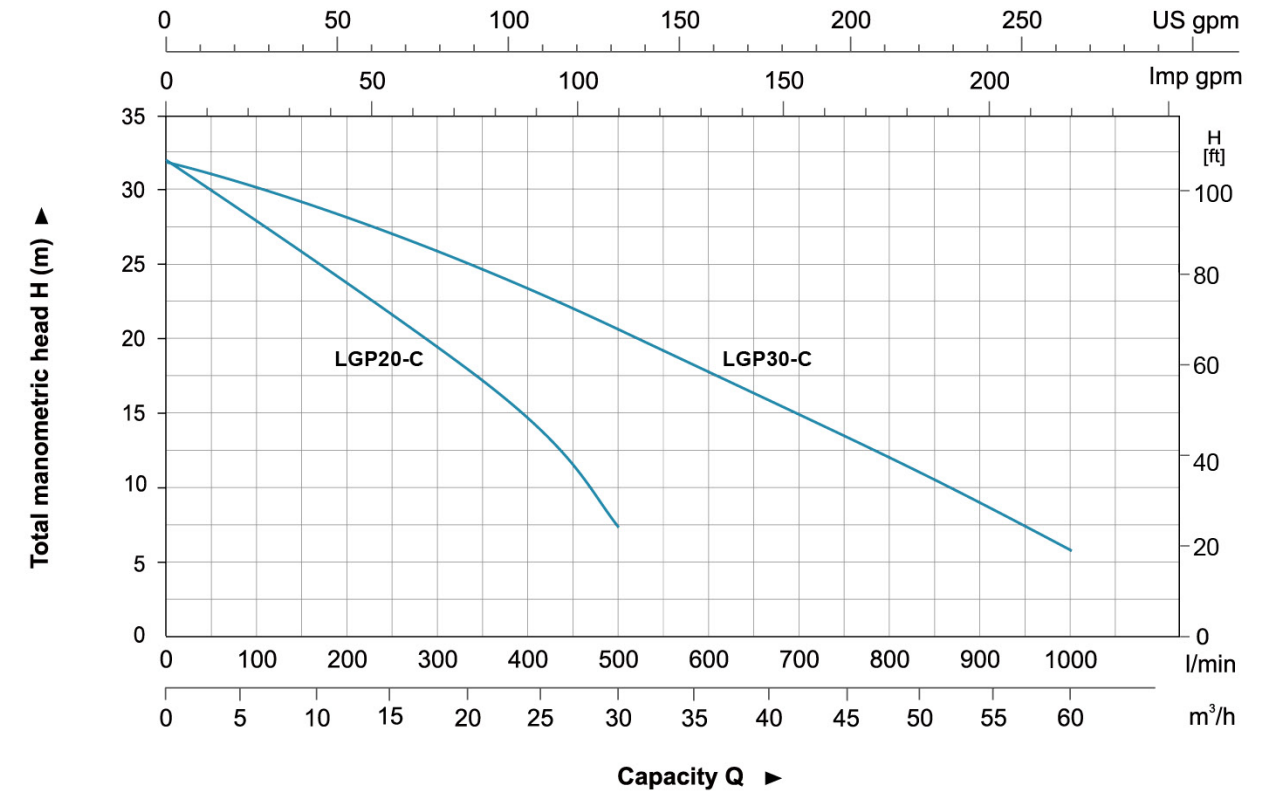
Model	Power HP	Fuel tank L	Engine Oil L	Displacement cc	Engine	Q (m³/h)												
						0	5	10	15	20	25	30	35	40	45	50	55	60
LGP20-C	6.5	2.8	0.55	196	G200	32	28.5	25	22	18	14	7.5	-	-	-	-	-	-
LGP30-C	6.5	2.8	0.55	196	G200	32	30.4	29.3	27.1	25.5	23	20.5	18	16.2	13.5	11	9	6



Dimension

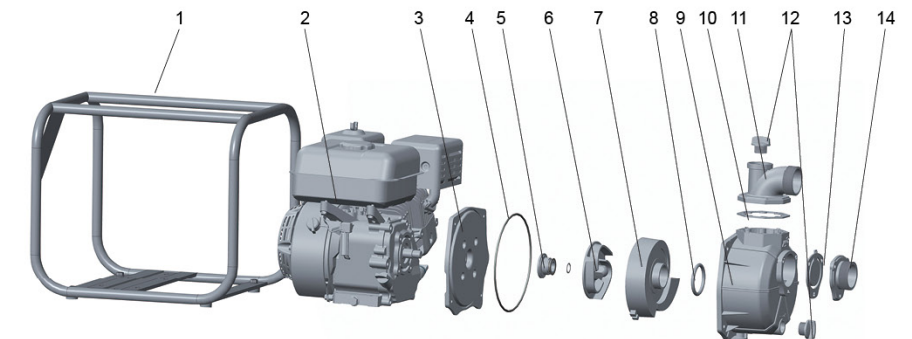
Model	DN1	DN2	L (mm)	W (mm)	H (mm)	H1 (mm)
LGP20-C	2"	2"	460	375	403.5	181
LGP30-C	3"	3"	500	375	425.5	189

Hydraulic Performance Curves



Materials Table

No.	Part	Material
1	Frame	Steel
2	Gasoline engine	
3	Pump cover	ADC12
4	O-ring	NBR
5	Mechanical seal	Carbon/Ceramic
6	Impeller	Cast iron
7	Diffuser	Cast iron
8	O-ring	NBR
9	Pump body	Aluminum
10	Gasket	NBR
11	Outlet	Aluminum
12	Filling plug	PA6
13	Non-return valve	NBR
14	Inlet	Aluminum



Package Information

Model	GW (Kgs)	L (mm)	W (mm)	H (mm)	Quantity (PCS/20 TEU)
LGP20-C	21.5	475	390	425	365
LGP30-C	23	515	390	447	335





Application

- To transfer clean water with liquid temperature between 0°C and 40 °C
- Application in water supply and drainage for factories, mines, municipal facilities as well as field irrigation, etc.

Features

- Flexible multi-directional discharge
- Durable steel frame
- Compact for easy carrying
- Quiet and reliable engine
- Low emission and fuel consumption

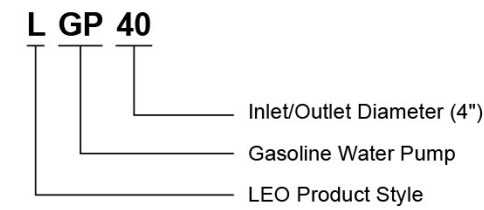
Pump

- Cast iron impeller and cast aluminum housing for long life time
- Max. suction: 8 m, suck 5 m needs 120 s
- Inlet/outlet: 100 mm

Engine

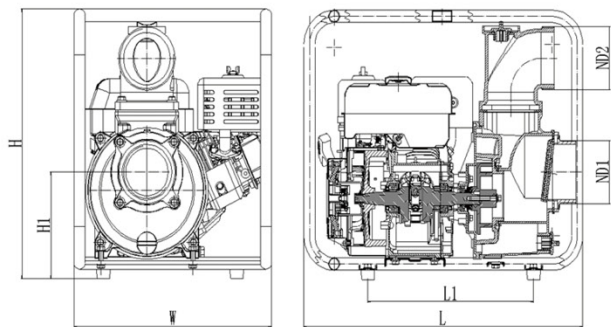
- Single cylinder, 4-stroke, Air-cooled
- Max. power: 6.5 HP
- Rated speed: 3600 rpm
- Reliable engine equipped with low engine oil shut off system

Identification Codes



Technical Data

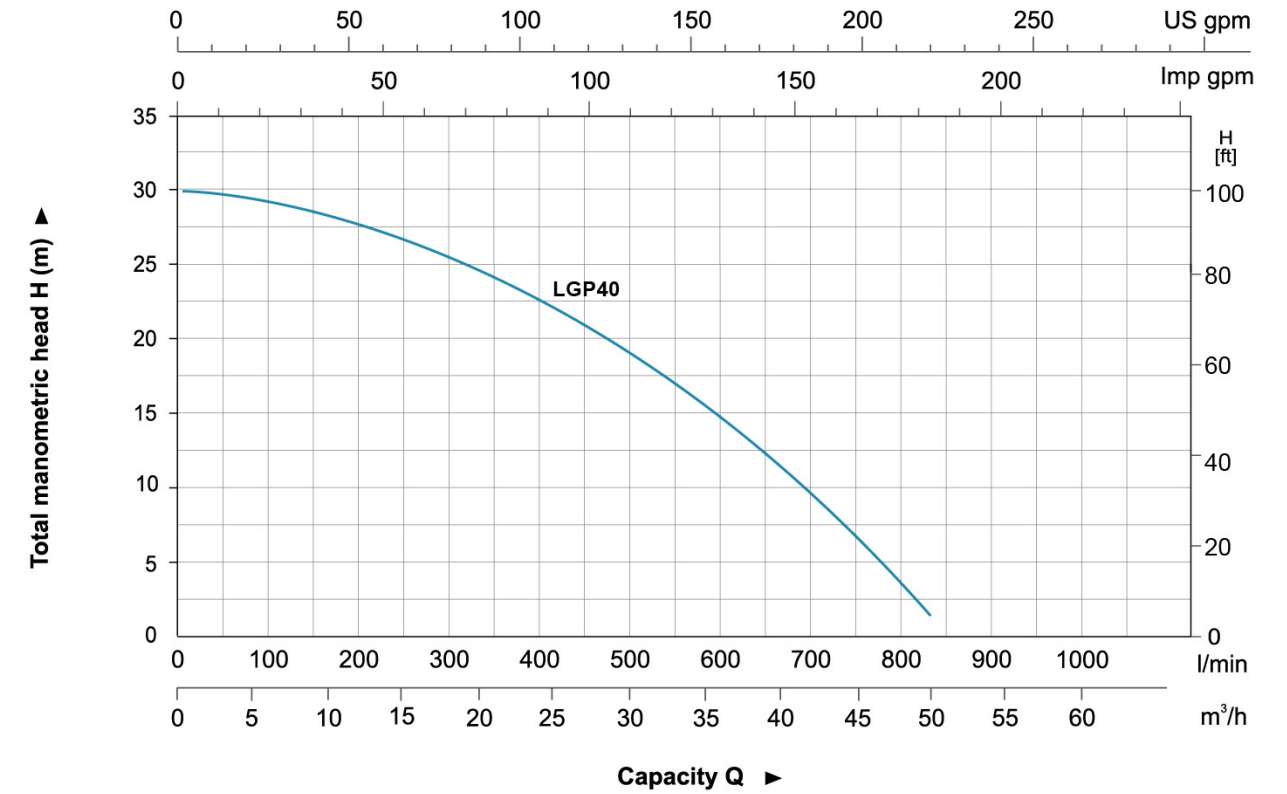
Model	Power HP	Fuel tank L	Engine Oil L	Displacement cc	Engine	Q (m³/h)					Q (l/min)				
						0	10	20	30	40	50	0	166.7	333.3	500
LGP40	6.5	2.8	0.55	196	G200	H(m)	30	28	24.56	19.4	11.4	1.9			



Dimension

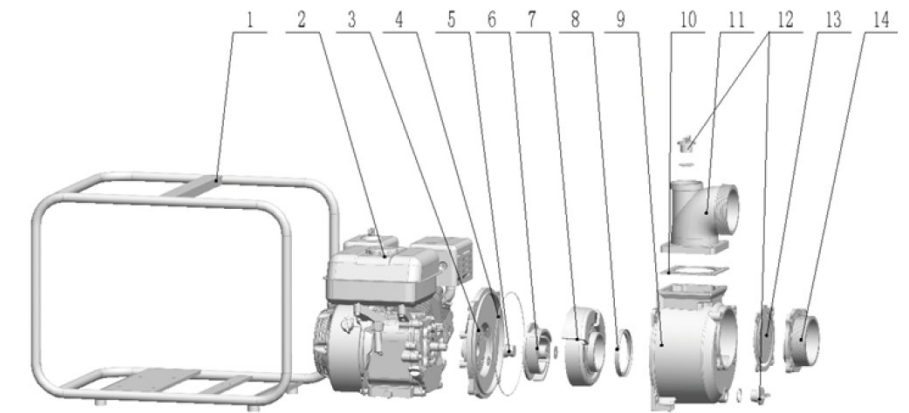
Model	DN1	DN2	L (mm)	W (mm)	H (mm)	H1 (mm)	L1 (mm)
LGP40	4"	4"	555	393	479	190	330

Hydraulic Performance Curves



Materials Table

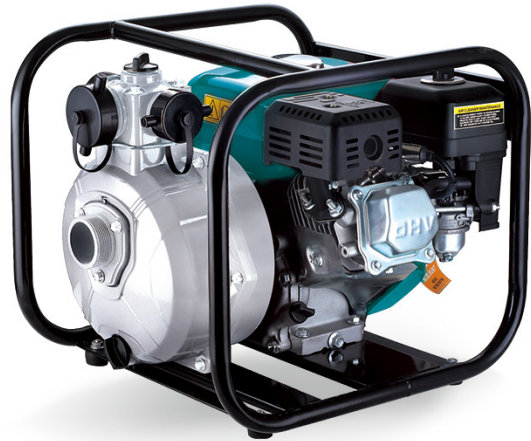
No.	Part	Material
1	Frame	Steel
2	Gasoline engine	
3	Pump cover	ADC12
4	O-ring	NBR
5	Mechanical seal	Carbon/Ceramic
6	Impeller	Cast iron
7	Diffuser	Cast iron
8	O-ring	NBR
9	Pump body	Aluminum
10	Gasket	NBR
11	Outlet	Aluminum
12	Filling plug	PA6
13	Non-return valve	NBR
14	Inlet	Aluminum



Package Information

Model	GW (Kgs)	L (mm)	W (mm)	H (mm)	Quantity (PCS/20 TEU)
LGP40	24.3	570	400	490	232





Application

- To transfer clean water with liquid temperature between 0°C and 40°C
- Application in water supply and drainage for factories, mines, municipal facilities as well as field irrigation, etc.
- Suitable for longer distance and greater height water transfer

Features

- New unique design with ergonomic feature
- Portable and compact pump frame
- High quality motor with excellent performance and long service life
- Impeller designed with high efficient hydraulic system
- Low fuel consumption
- LEO engine as default, BS/Honda engine is optional

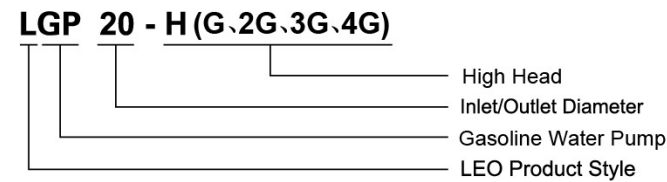
Pump

- Anti-rust cast iron diffuser
- Max.Suction: 8 m , Suck 5 m needs 120 s
- Inlet/outlet: 50 mm/2 x 38 mm+1 x 50 mm
38 mm/1 x 38 mm+2 x 25 mm

Engine

- Single cylinder, 4-stroke, Air-cooled
- Max.power: 6.5 HP
- Rated speed: 3600 rpm
- Reliable engine equipped with low engine oil shut off system

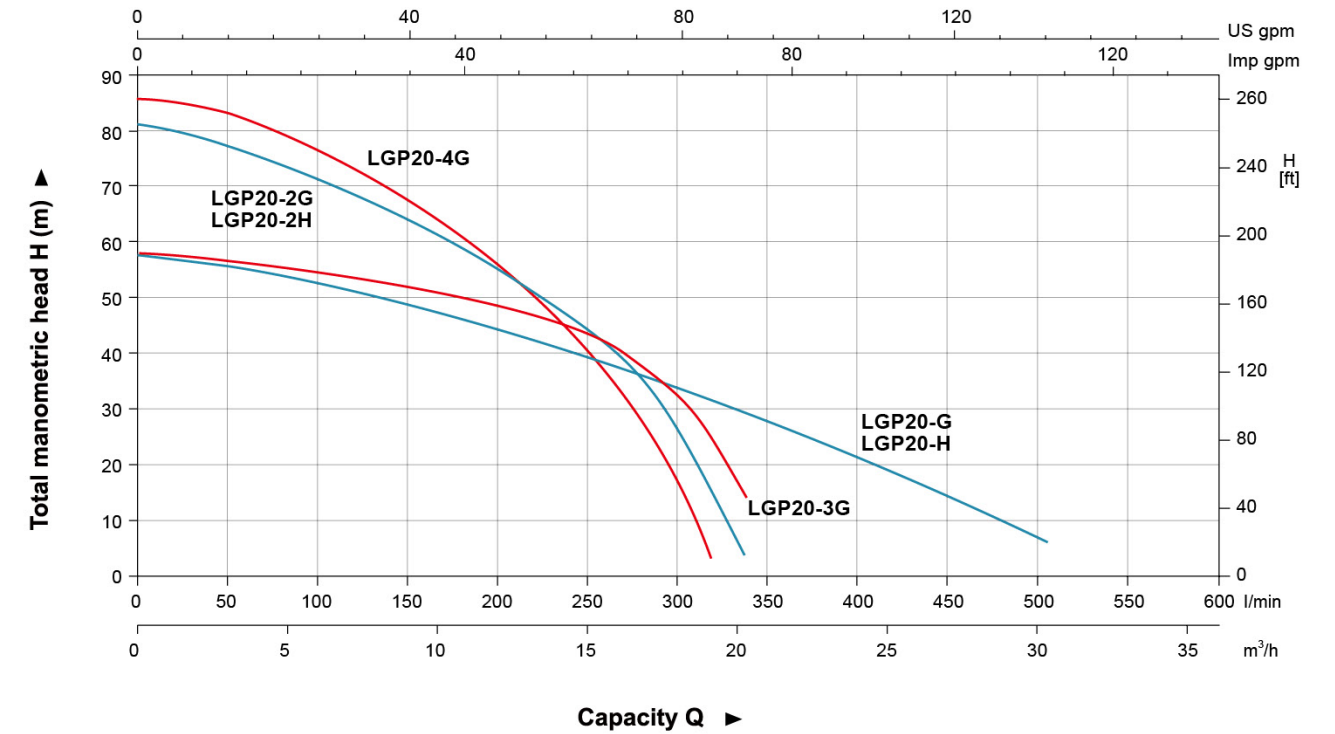
Identification Codes



Technical Data

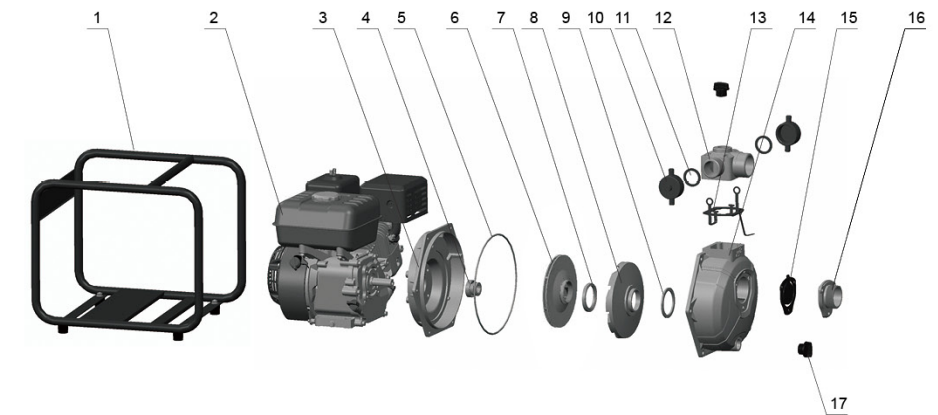
Model	Power HP	Fuel tank L	Engine Oil L	Displacement cc	Engine	Q (m³/h)								
						0	5	10	15	20	25	30		
LGP20-H	6.5	2.8	0.55	196	G200	58	51	45	38.5	29	19	6		
LGP20-2H	6.5	2.8	0.55	196	G200	81	72.5	60	45	5	-	-		
LGP20-G	6.5	2.8	0.58	196	GX200	59	54	46.8	39	30	20	5.4		
LGP20-2G	6.5	2.8	0.58	196	GX200	84	77.7	61.6	38.3	4.9	-	-		
LGP20-3G	6.5	3.1	0.6	208	XR950	59	55.2	50	42.8	15	-	-		
LGP20-4G	6.5	3.1	0.6	208	XR950	86	77.6	60.7	40	4.4	-	-		

Hydraulic Performance Curves



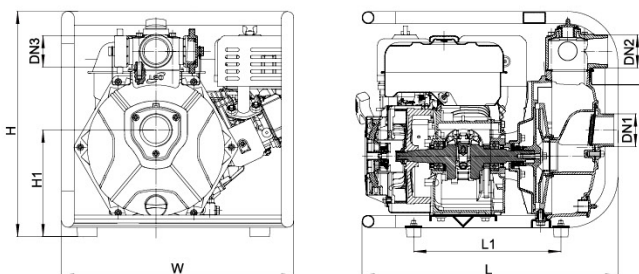
Materials Table

No.	Part	Material
1	Frame	Steel
2	Engine	
3	Bracket	Aluminum
4	Mechanical seal	Carbon/Ceramic
5	O-ring	NBR
6	Impeller	Aluminum
7	Seal ring	NBR
8	Diffuser	HT200
9	Seal ring	NBR
10	Pipe blanking cap	PP
11	Seal ring	NBR
12	Outlet	Aluminum
13	Gasket	NBR
14	Pump body	Aluminum
15	Non-return valve	NBR
16	Inlet	Aluminum
17	Filling plug	PA6



Package Information

Model	GW (Kgs)	L (mm)	W (mm)	H (mm)	Quantity (PCS/20 TEU)
LGP20-H	23.22	470	412	432	305
LGP20-2H	23.24	470	412	432	305
LGP20-G	25.5	545	435	465	196
LGP20-2G	27	545	435	465	196
LGP20-3G	27.2	545	435	465	196
LGP20-4G	28.2	545	435	465	196



Dimension

Model	DN1	DN2	2×DN3	L (mm)	W (mm)	H (mm)	H1 (mm)
LGP20-H	2"	2"	1.5"	463	398	406	200
LGP20-2H	2"	2"	1.5"	463	398	406	200
LGP20-G	2"	2"	1.5"	530	420	425	192.2
LGP20-2G	2"	2"	1.5"	530	420	425	192.2
LGP20-3G	1.5"	1.5"	1"	530	420	425	190
LGP20-4G	1.5"	1.5"	1"	530	420	425	190



Application

- To transfer clean water with liquid temperature between 0°C and 40°C
- Application in water supply and drainage for factories, mines, municipal facilities as well as field irrigation, etc.

Features

- Strengthened cast-iron pump body ensures more durable and reliable service
- Impeller designed with high efficient hydraulic system
- High quality engine with excellent performance and long service life
- Better sealing effect by using special mechanical seal
- Low fuel consumption

Pump

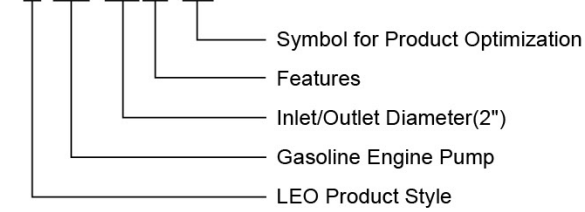
- Anti -rust cast iron pump body
- Aluminum alloy impeller
- Max.Suction: 8 m , Suck 5 m needs 120 s
- Inlet/outlet: 50 mm

Engine

- Single cylinder, 4-stroke, Air-cooled
- Max.power: 6.5 HP
- Rated speed: 3600 rpm
- Reliable engine equipped with low engine oil shut off system

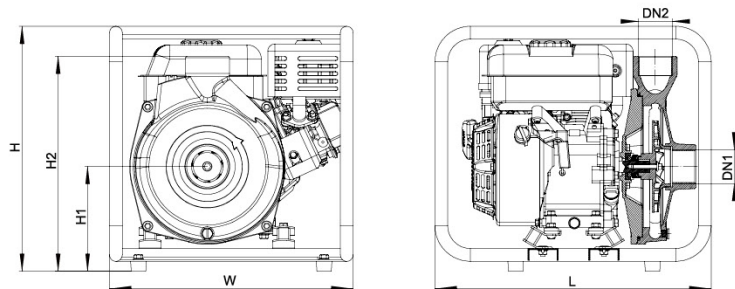
Identification Codes

L GP 20 i - A



Technical Data

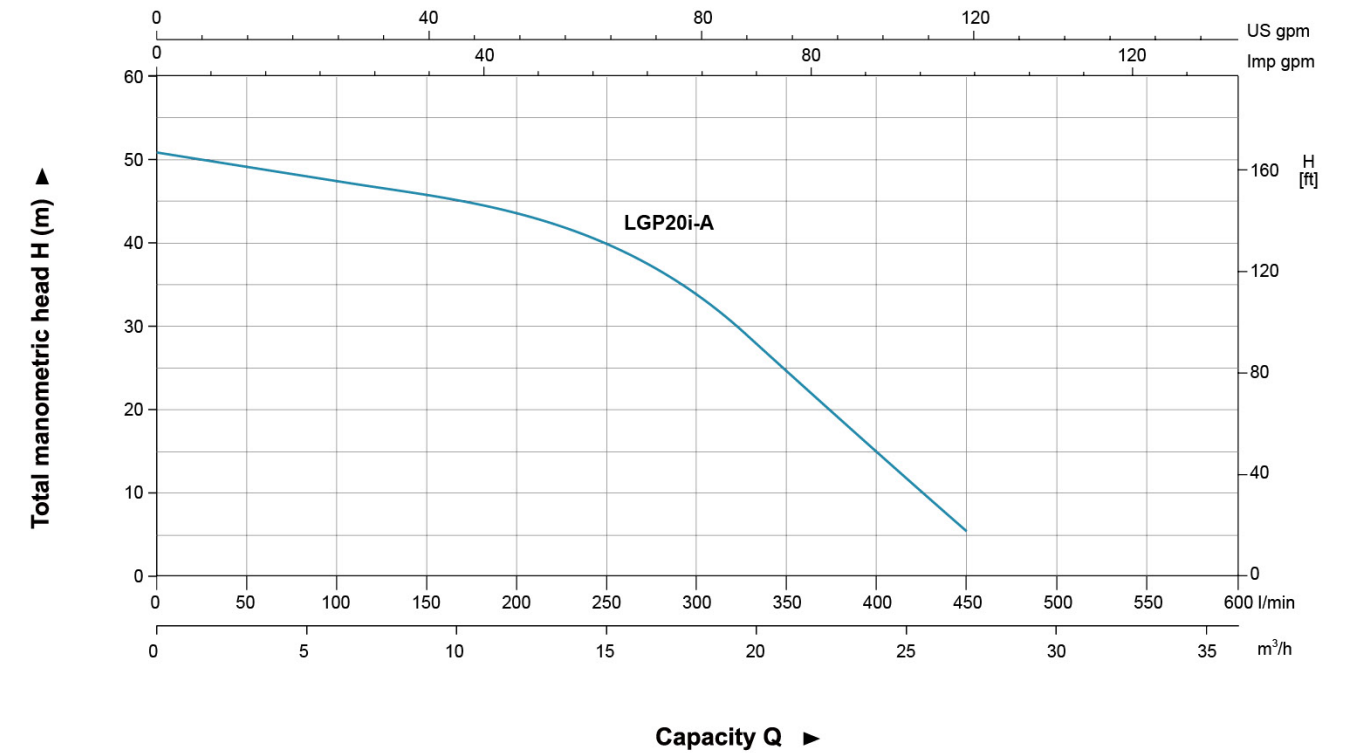
Model	Power	Fuel tank	Engine Oil	Displacement	Engine	Q (m³/h)						
	HP	L	L	cc		0	5	10	15	20	25	
LGP20i-A	6.5	2.8	0.55	196	G200	H (m)	51	48	46	40	28	11.5



Dimension

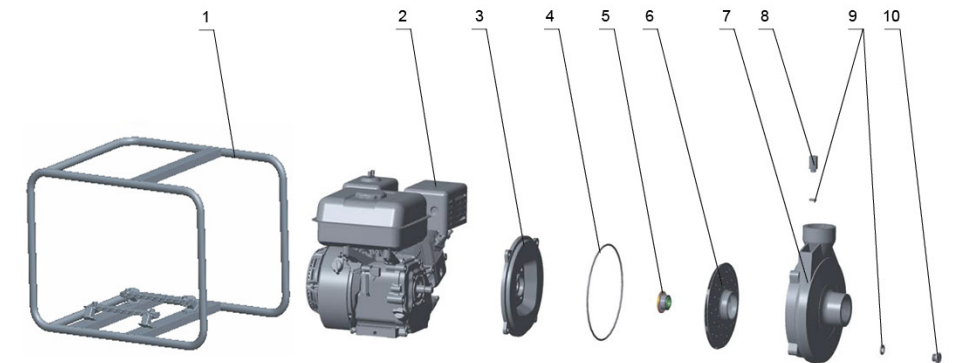
Model	DN1	DN2	L (mm)	W (mm)	H (mm)	H1 (mm)	H2 (mm)
LGP20i-A	2"	2"	476	420	440	180	370

Hydraulic Performance Curves



Materials Table

No.	Part	Material
1	Frame	Steel
2	Engine	
3	Pump cover	HT200
4	O-ring	NBR
5	Mechanical seal	Carbon/Ceramic
6	Impeller	Aluminum
7	Pump body	HT200
8	Plug	HPb59-1
9	O-ring	NBR
10	Plug	HPb59-1



Package Information

Model	GW (Kgs)	L (mm)	W (mm)	H (mm)	Quantity (PCS/20 TEU)
LGP20i-A	30	470	433	450	325





Application

- To transfer clean water or trash water with liquid temperature between 0°C and 40°C
- Application in water supply and drainage for factories, mines, municipal facilities as well as field irrigation, etc.

Features

- Strengthened aluminium alloy pump body ensures more durable and reliable service
- Original design of the pump body for easy cleanout
- Impeller designed with high efficient hydraulic system
- Honda engine with excellent performance and long service life
- Better sealing effect by using special mechanical seal
- Low fuel consumption
- Honda Engine

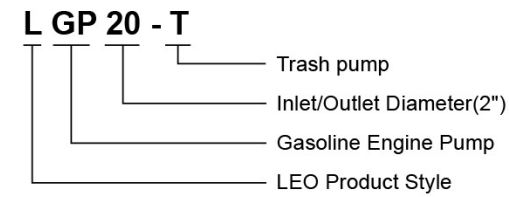
Pump

- Aluminum alloy pump body
- Anti -rust cast iron impeller
- Max. suction: 8 m
- Rated suction: 5 m / 120 s
- Inlet/outlet:50 mm
- Max.diameter of particle: 22 mm
- Liquid temperature range: 0°C ~ 40°C

Engine

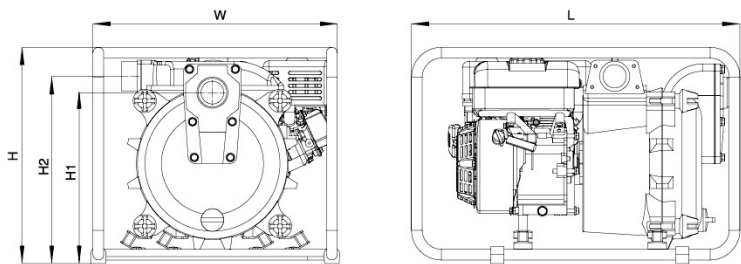
- Single cylinder,4-stroke, Air-cooled
- Max.power: 5 HP
- Displacement:163 cc
- Rated speed:3600 rpm

Identification Codes



Technical Data

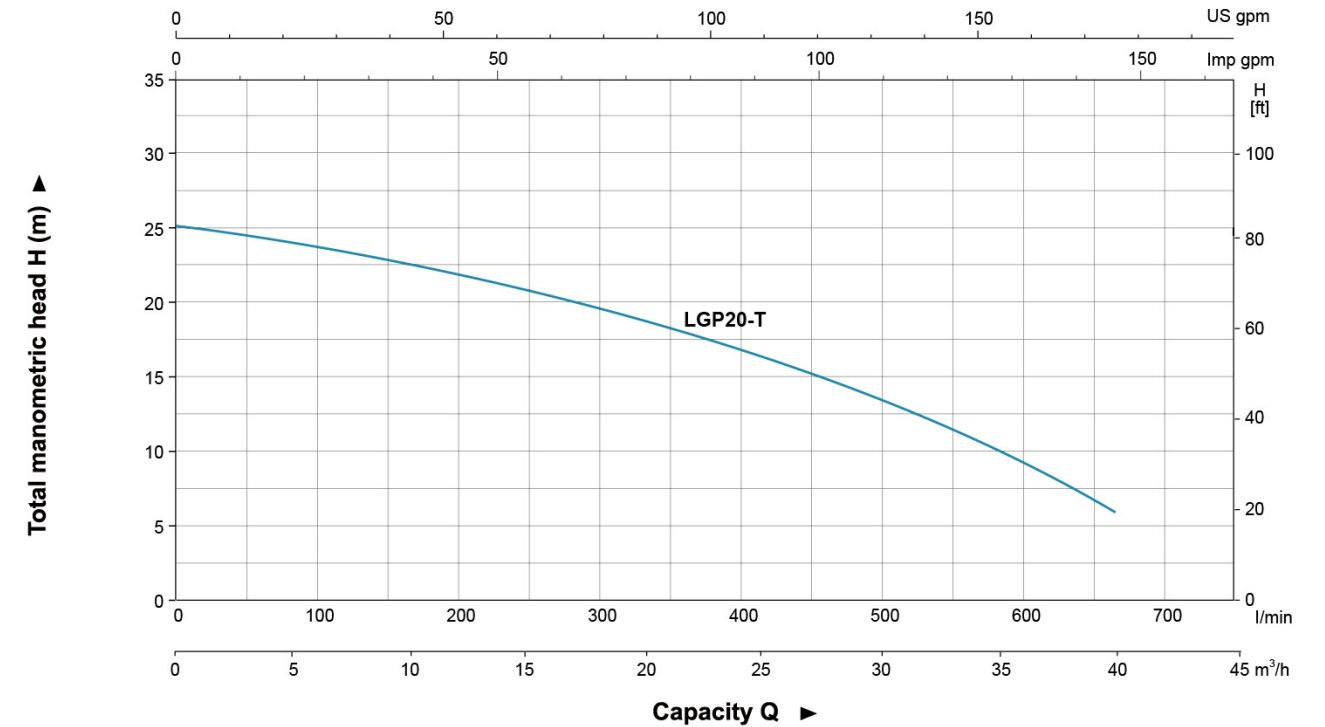
Model	Power HP	Fuel tank L	Engine Oil L	Displacement cc	Engine GX160	Q (m³/h)									
						0	5	10	15	20	25	30	35	40	
LGP20-T	5	2.8	0.55	163	GX160	25	24.1	22.5	20.6	18.6	16.1	13.5	10	6	



Dimension

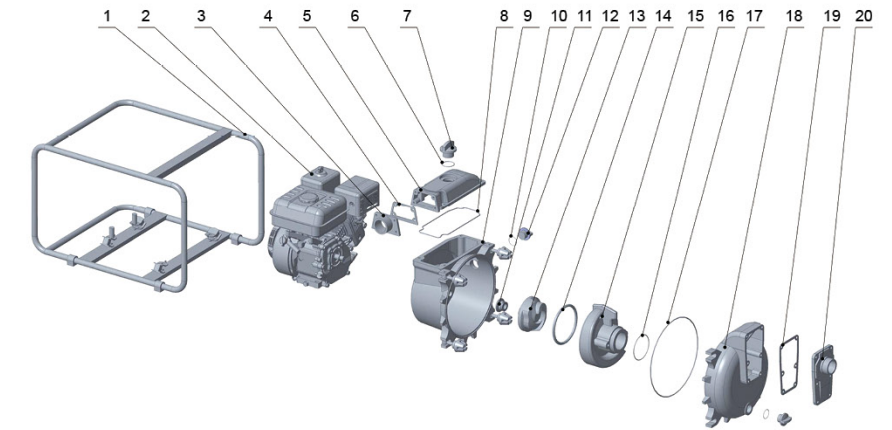
Model	DN1	DN2	L (mm)	W (mm)	H (mm)	H1 (mm)	H2 (mm)
LGP20-T	2"	2"	675	502	446	350	385

Hydraulic Performance Curves



Materials Table

No.	Part	Material
1	Frame	Steel
2	Engine	
3	Outlet	Aluminum
4	Seal	NBR
5	Outlet cover	Aluminum
6	O-ring	NBR
7	Plug	
8	O-ring	NBR
9	Pump cover	Aluminum
10	O-ring	NBR
11	Mechanical seal	
12	Plug	
13	Impeller	HT200
14	O-ring	NBR
15	Diffuser	HT200
16	O-ring	NBR
17	O-ring	NBR
18	Pump body	Aluminum
19	Seal	
20	Inlet	Aluminum



Package Information

Model	GW (Kgs)	L (mm)	W (mm)	H (mm)	Quantity (PCS/20 TEU)
LGP20-T	42.8	700	520	470	175





Application

- Can be used to transfer slurry, liquids that containing mud, sand, small rocks and other debris diameter less than 22mm.
- Sewage treatment for civil engineering, mines, quarries and municipal facilities, etc.
- Water supply and drainage for factories, mins, municipal facilities as well as field irrigation, etc.

Features

- All new design with ergonomic feature
- Reliable 4-stroke gasoline engine with low fuel consumption and high quality crankshaft
- Portable, durable and compact pump frame
- Durable sealing system with special mechanical seal
- Silicon carbide mechanical seal for increased abrasive resistance, longer life and less maintainance
- Pump body can easily disassembled and assembled for cleaning out debris, or pump repair

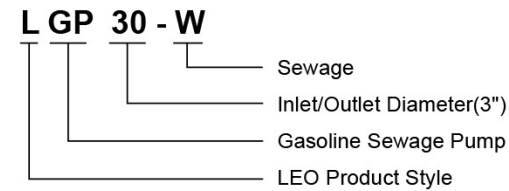
Pump

- Anti-rust cast iron impeller and diffuser
- Max.Suction: 8 m, Suck 5 m needs 120 s
- Inlet/outlet: 3"
- Max. diameter of particle: 22 mm
- Liquid temperature range: 0°C ~ 40°C

Engine

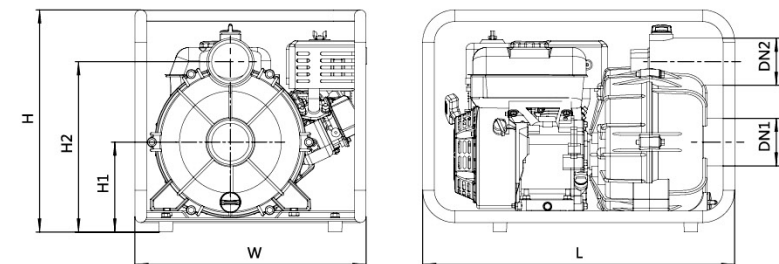
- Single cylinder, 4-stroke, Air-cooled
- Max.power: 6.5 HP
- Rated speed: 3600 rpm
- Reliable engine equipped with low engine oil shut off system

Identification Codes



Technical Data

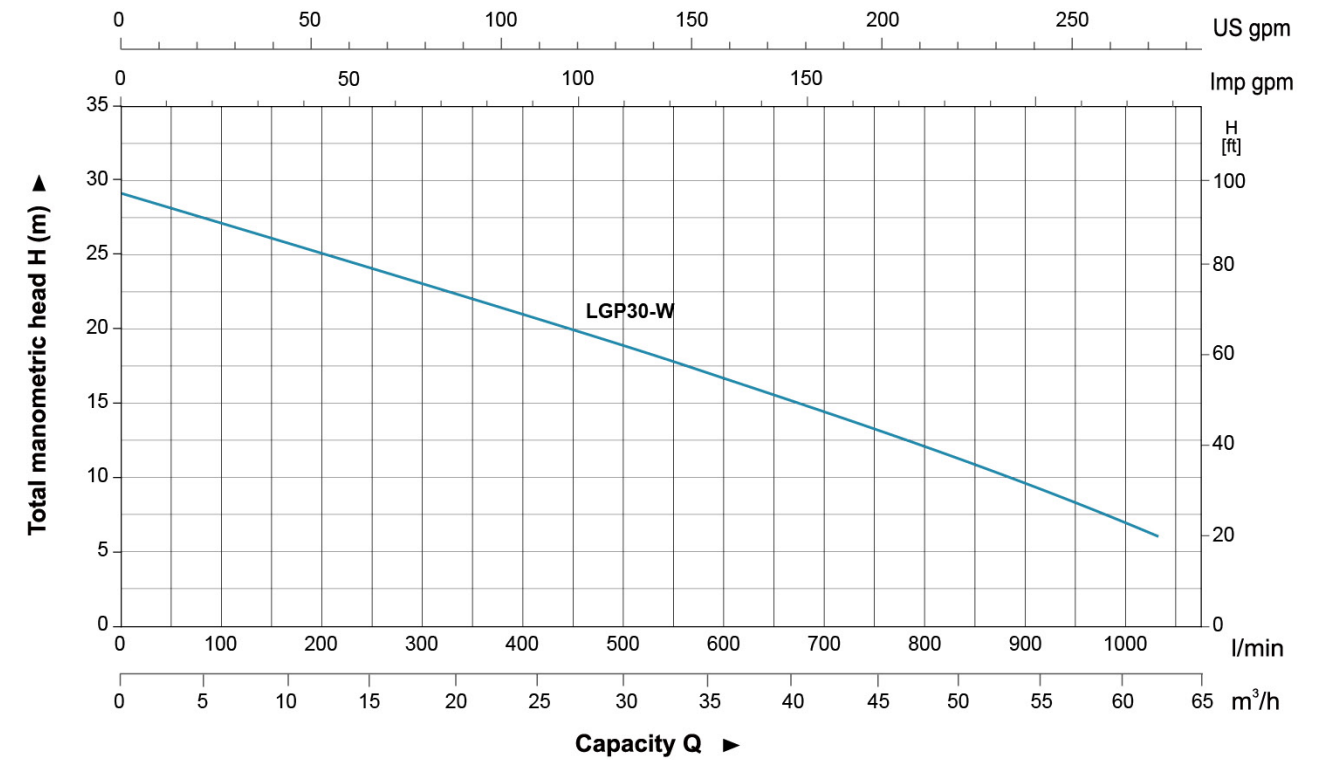
Model	Power HP	Fuel tank L	Engine Oil L	Displacement cc	Engine	Q (m³/h)															
						0	5	10	15	20	25	30	35	40	45	50	55	60			
LGP30-W	6.5	2.8	0.55	196	G200	H(m)	29	27	25.5	24	22	20.5	18.5	17	15.5	14.5	11.5	9.2	7		



Dimension

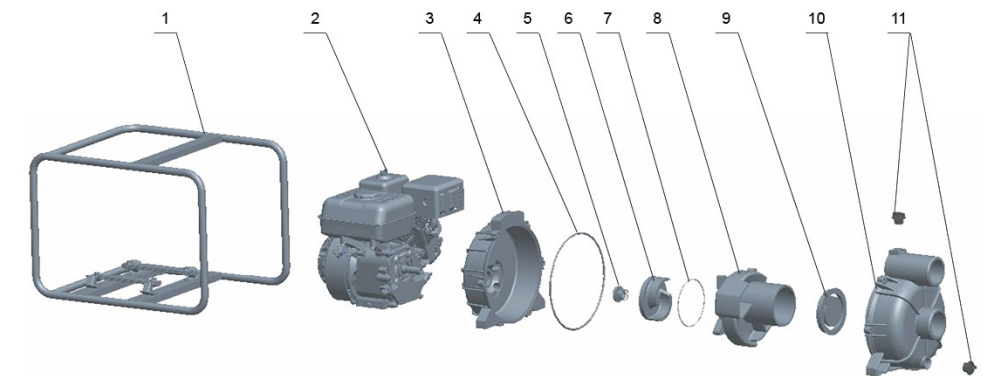
Model	DN1	DN2	L (mm)	W (mm)	H (mm)	H1 (mm)	H2 (mm)
LGP30-W	3"	3"	590	437	431	195	347

Hydraulic Performance Curves



Materials Table

No.	Part	Material
1	Frame	Steel
2	Engine	
3	Pump cover	Aluminum
4	O-ring	NBR
5	Mechanical seal	Silicon carbide /Silicon carbide
6	Impeller	HT200
7	O-ring	NBR
8	Diffuser	HT200
9	Non-return valve	NBR
10	Pump body	Aluminum
11	Plug	ABS



Package Information

Model	GW (Kgs)	L (mm)	W (mm)	H (mm)	Quantity (PCS/20 TEU)
LGP30-W	34.6	605	450	459	168





Application

- To transfer clean water with liquid temperature between 0°C and 40°C
- Application in water supply and drainage for factories, mines, municipal facilities as well as field irrigation, etc.

Features

- All new design with ergonomic feature
- High lift series with LEO high efficient hydraulic system
- Reliable 4-stroke gasoline engine with low fuel consumption and high quality crankshaft
- Portable, durable and compact pump frame
- Durable sealing system with special mechanical seal
- Optional outlet selection

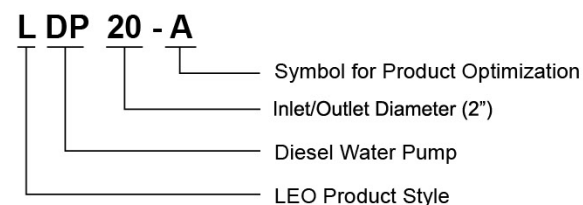
Pump

- Anti-rust cast iron impeller and diffuser
- Max.Suction: 8 m , Suck 5 m needs 120 s
- Inlet/outlet: 2"/3"

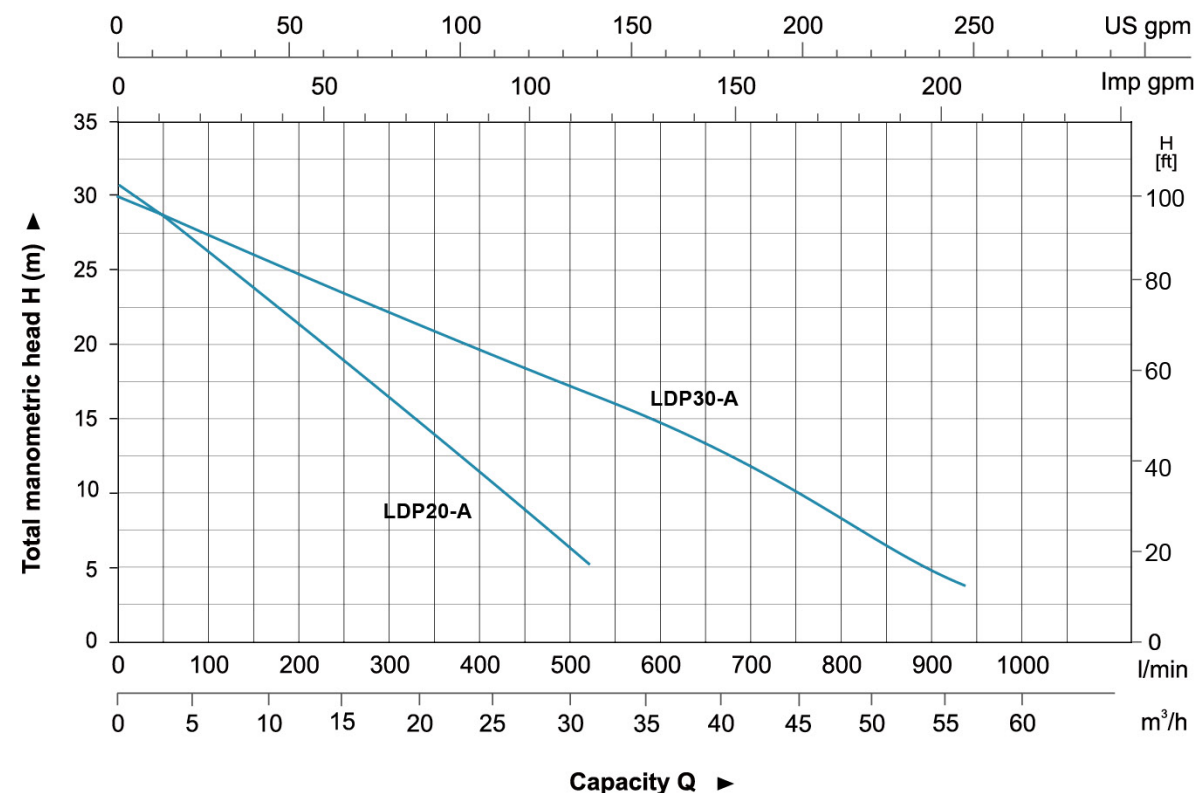
Engine

- Single cylinder,4-stroke,Air-cooled
- Max.power: 3.8 HP
- Rated speed: 3600 rpm
- Reliable engine equipped with low engine oil shut off system

Identification Codes

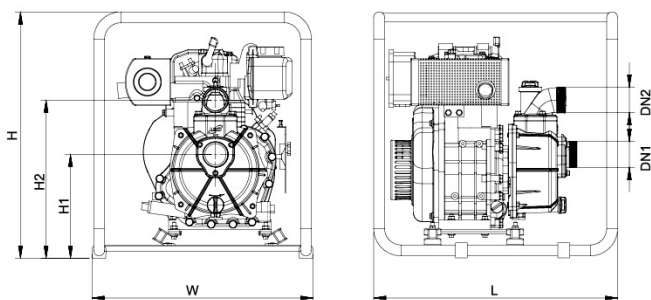


Hydraulic Performance Curves



Technical Data

Model	Power HP	Fuel tank L	Engine Oil L	Displacement cc	Engine D170	Q (m³/h)											
						0	5	10	15	20	25	30	35	40	45	50	55
LDP20-A	3.8	2.5	0.8	219	D170	31	27	23	18.4	15	10	5.9	-	-	-	-	-
LDP30-A	3.8	2.5	0.8	219	D170	30	27	26.5	24.1	21.4	19.3	16.7	15.8	13.5	11	8	4.8

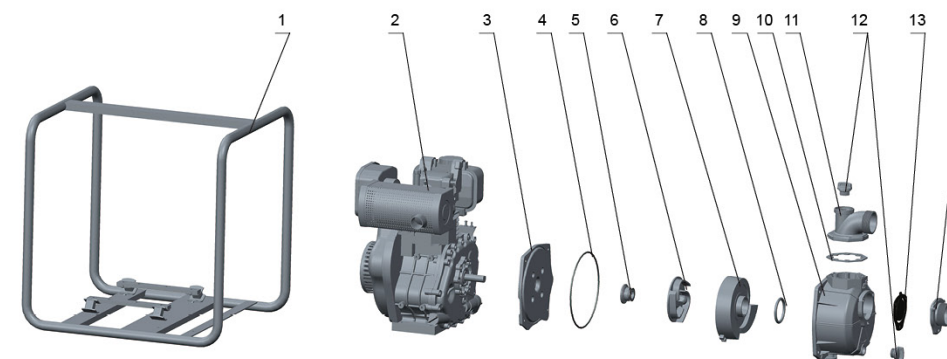


Dimension

Model	DN1	DN2	L (mm)	W (mm)	H (mm)	H1 (mm)	H2 (mm)
LDP20-A	2"	2"	470	427	536	225	335
LDP30-A	3"	3"	470	427	536	240	390

Materials Table

No.	Part	Material
1	Frame	Steel
2	Engine	
3	Pump cover	Aluminum
4	O-ring	NBR
5	Mechanical seal	Carbon/Ceramic
6	Impeller	HT200
7	Diffuser	HT200
8	O-ring	NBR
9	Pump body	Aluminum
10	Seal	NBR
11	Outlet	Aluminum
12	Plug	ABS
13	Non-return valve	NBR
14	Inlet	Aluminum



Package Information

Model	GW (Kgs)	L (mm)	W (mm)	H (mm)	Quantity (PCS/20 TEU)
LDP20-A	35.1	485	435	550	244
LDP30-A	36.2	485	435	550	244





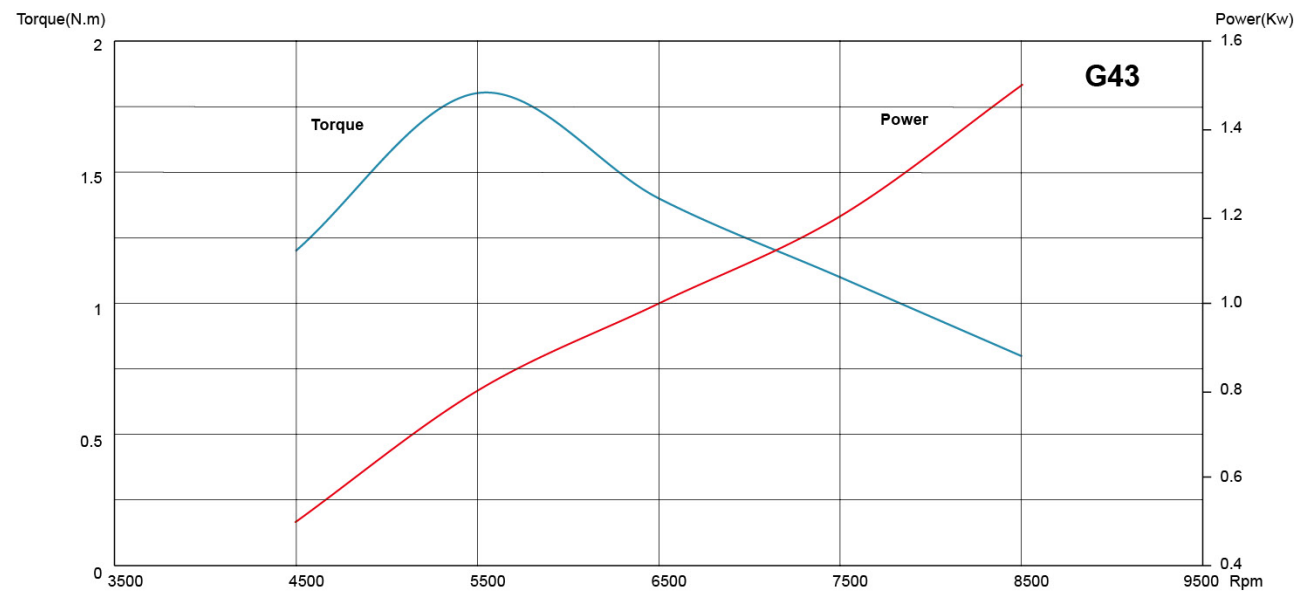
Features

- High fuel efficiency and high output operation
- Smooth performance
- Especially quiet
- Reliable
- Easy to use and maintain
- Easy starting
- Emission compliant
- Available options

Technical Data

- Model name: G43
- Engine Type: Single Cylinder,Air-cooled, 4-Stroke,
- Displacement: 42.7 cc
- Rated Power : 1.2 Kw / 7500 rpm
- Max. Torque: 1.8 N.m / 5500 rpm
- Cylinder: Aluminium
- Bore× Stroke: 40x34 mm
- Fuel Tank Capacity: 1 L
- Compression Ratio: 7.5 : 1
- Start Type: Pull
- Certical: EUII
- PTO Shaft Rotation: Counterclockwise (From PTO shaft side)
- Carburetor: Buttery
- Lubrication System: Splash
- Governor System: Centrifugal Mass Type
- Air Cleaner: Dual Element
- Dimensions(L×W×H): 260x255.4x177.5 mm
- Dry Weight: 4 KG

Torque Tachometer



Features

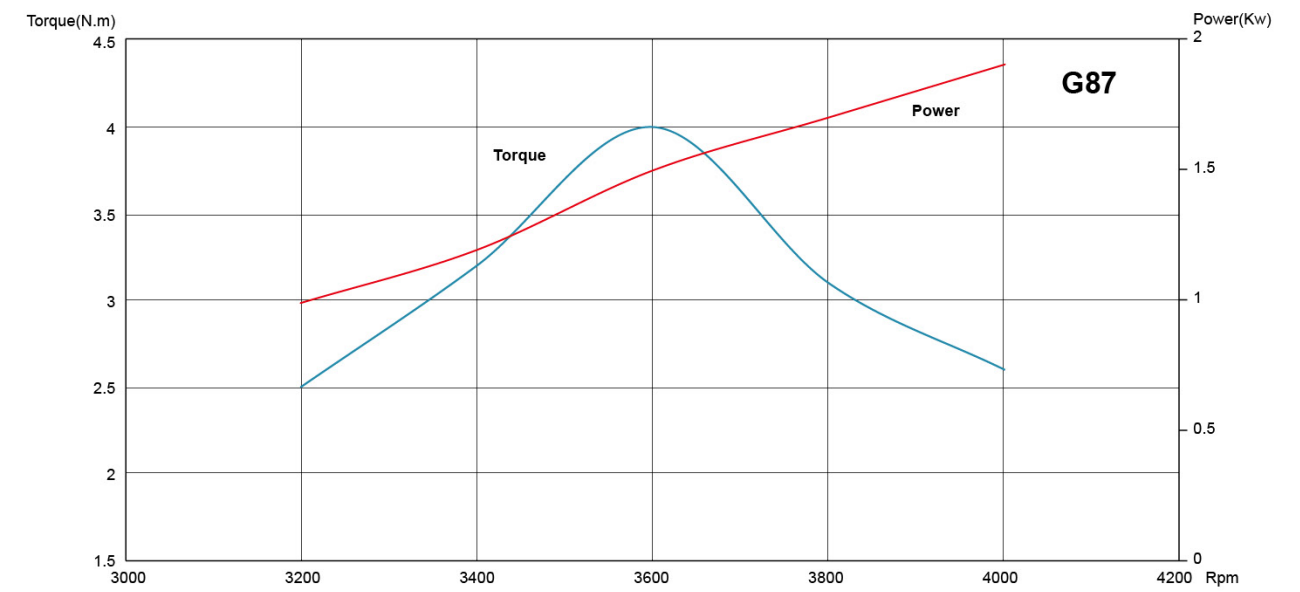
- High fuel efficiency and high output operation
- Smooth performance
- Especially quiet
- Reliable
- Easy to use and maintain
- Easy starting
- Emission compliant
- Available options

Technical Data

- Model name: G87
- Engine Type: Single Cylinder,Air-cooled, 4-Stroke, OHV
- Displacement: 87 cc
- Rated Power: 1.5 Kw / 3600 rpm
- Max. Torque: 4 N.m / 3600 rpm
- Cylinder: Aluminium
- Bore× Stroke: 54x38 mm
- Fuel Tank Capacity: 1.8 L
- Oil Capicity: 350 mL
- Compression Ratio: 8.0 : 1
- Start Type: Pull
- Certical: EUII
- PTO Shaft Rotation: Counterclockwise (From PTO shaft side)
- Carburetor: Buttery
- Lubrication System: Splash
- Governor System: Centrifugal Mass Type
- Air Cleaner: Dual Element
- Dimensions(L×W×H): 318.6x246.8x294.6 mm
- Dry Weight: 10.5 KG



Torque Tachometer



Pump Range



● Peripheral Pump



● Self-Priming Peripheral Pump



● Jet Pump



● Jet Pump for Deep Wells



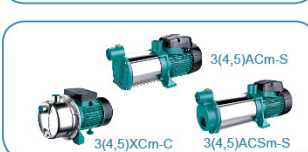
● Centrifugal Pump



● Multistage Centrifugal Pump



● Self-Priming Centrifugal Pump



● Stainless Steel Multistage Centrifugal Pump



● Stainless Steel Centrifugal Pump



● Submersible Pump



● Stainless Steel Submersible Pump



● Stainless Steel Submersible Sewage Pump



● Flexible Shaft Pump



● Domestic Lifting Station



● Pool Pump



● Garden Submersible Pump



● Garden Jet Pump



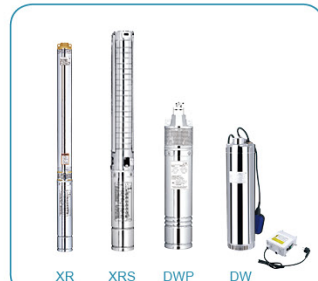
● Pressure Booster System



● Fountain Pump



● Standard Centrifugal Pump



● Submersible Borehole Pump



● Gasoline/Diesel Water Pump



● Booster Pump/Circulation Pump

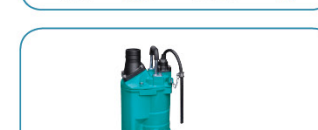
Pump Range



● Submersible Sewage Pump



● Submersible Sewage Pump



● Submersible Dewatering Pump



● Submersible Slurry Pump



● Stainless Steel Vertical Multistage Pump



● Stainless Steel Horizontal Multistage Pump



● Semi-open Impeller Stainless Steel Centrifugal Pump



● Stainless Steel Standard Centrifugal Pump



● Pressure Booster System



● Vertical In-line Pump



● Bare Shaft End Suction Centrifugal Pump



● End Suction Centrifugal Pump